

DHI-KTD02

2-wire Villa Door Station & 2-wire & Wi-Fi Indoor Monitor



Technical Specification

DHI-VTH2622GW-W

System

Main Processor	Embedded processor
Operating System	Embedded Linux operating system
Interoperability	ONVIF; SDK
Network Protocol	RTSP; RTP; SIP; DNS; SSH
ROM	128 MB
RAM	128 MB
CPU	Dual core 1.2 GHz

Basic

Screen Type	Capacitive touchscreen
Display	7" TFT
Screen Resolution	1024 × 600
Audio Compression	G.711a; G.711u; PCM
Audio Input	1
Audio Output	Built-in speaker
Audio Mode	2-way Audio
Audio Enhancement	Echo suppression
Audio Bit Rate	16 kHz; 16 bit

Function

Communication Mode	Digital 2-wire
Information Release	Receive and view text information released by the management center

2-wire & Wi-Fi Indoor Monitor

- 7" TFT capacitive touch screen, 1024 × 600
- 6-channel alarm input and 1-channel alarm output
- Wi-Fi
- Door station and IPC monitor
- H.264 and H.265 video decoding
- 2-wire digital communication
- High performance & cost-effective

2-wire Villa Door Station

- Anodized aluminum front panel
- CMOS low illumination 2 MP HD colorful 160° fisheye camera
- Video intercom function
- Access control function that supports two locks
- Mobile phone app, talk to the visitor or unlock the door remotely on your phone
- Compatible with 2-wire interface & RJ45 interface
- IK07 & IP65
- H.264 and H.265 encoding
- Surface and flush mount



Leave Videos	Yes (SD card inserted in VTO is needed)
DND Mode	Do not disturb period can be set; Do not disturb mode
Wi-Fi	Yes
Wireless Standard	IEEE802.11b/802.11g/802.11n
Wireless Frequency Range	2.4 GHz
Wireless Security Encryption	WPA/WPA2; WPA-PSK/WPA2-PSK

Performance

Casing	PC + ABS
--------	----------

Port

Alarm Input	6
Alarm Output	1
Door Bell	Yes (use any alarm input port)
Network	One two-wire port and one 10Mbps/100Mbps Ethernet port (one of them can be selected)

General

Appearance Color	White
Power Supply	48 VDC 1.25 A

DHI-KTD02

Installation	Surface mount
Certifications	CE; FCC
Accessory	Bracket and alarm ribbon cable (included)
Dimensions	189.6 mm × 134.6 mm × 26.0 mm (7.50" × 5.30" × 1.00")
Operating Temperature	-10 °C to +55 °C (+14 °F to 131 °F)
Operating Humidity	10%–95% RH (non-condensing)
Operating Altitude	Beneath 3000 m (9842.52 ft)
Power Consumption	Standby ≤2 W; working ≤6 W
Net Weight	0.34 kg (0.74 lb)
Gross Weight	0.58 kg (1.27 lb)

DHI-VTO2202F-L

System

Main Processor	Embedded Processor
Operating System	Embedded Linux operating system
Button Type	Mechanical
Interoperability	ONVIF; CGI
Network Protocol	IPv4; RTSP; UDP; DNS; P2P; UPnP; RTP; TCP; SIP
ROM	128 MB
RAM	256 MB
CPU	1 GHz

Alarm

Tamper Alarm	Yes
SOS Alarm	Yes

Basic

Camera	1/2.5" 2MP CMOS high definition, low illumination/WDR, color/IR
Field of View	H: 168.6°; V: 87.1; D: 176.7°
Focal Length	1.9 mm
WDR	120 dB
Noise Reduction	3D NR
Video Compression	H.265; H.264
Video Resolution	50 Hz: Main stream (720p@25 fps), sub stream (1080p@25 fps) 60 Hz: Main stream (720p@30 fps), sub stream (1080p@30 fps)
Video Frame Rate	25 fps
Video Bit Rate	256 kbps to 4 Mbps
Light Compensation	Auto IR
Day/Night	Yes
Audio Compression	G.711a; G.711u; PCM

Audio Input	1-channel
Audio Output	Built-in speaker
Audio Mode	2-way Audio
Audio Enhancement	Echo suppression/digital noise reduction
Audio Bit Rate	16 kHz, 16 bit
Status Indicator Light	3

Function

Communication Mode	Full digital; 2-wire
Unlock Mode	Remote
Leave Videos	Yes (SD card inserted in VTO is needed)
Storage	Micro SD card (up to 64 GB)

Performance

Casing	Aluminum alloy
--------	----------------

Port

RS-485	1
Electric Lock	1
Alarm Output	1
Power Output	1 × 12 VDC output, 200 mA
Exit Button	1
Door Status Detection	1
Lock Control	1
Network	RJ-45 port, 10 Mbps/100 Mbps self-adaptive

General

Appearance Color	Silver
Power Supply	48 VDC 1.25 A
Installation	Flush/Surface mount
Certifications	CE; FCC
Product Dimensions	130 mm × 96 mm × 28.5 mm (5.12" × 3.78" × 1.12")
Protection	IK07; IP65
Operating Temperature	-30 °C to +60 °C (-22 °F to 140 °F)
Operating Humidity	10%–90% RH (non-condensing)
Operating Altitude	Beneath 3000 m (9842.52 ft)
Power Consumption	≤6 W
Net Weight	0.35 kg (0.77 lb)
Gross Weight	0.4 kg (0.88 lb)

Ordering Information

Type	Model	Description
DHI-KTD02	DHI-KTD02 (F)	Video Intercom Kit. It includes: DHI-VTH2622GW-W: 2-wire & Wi-Fi Indoor Monitor DHI-VTO2202F-L: 2-wire IP Villa Door Station VTM114: Flush mounted box
	DHI-KTD02 (S)	Video Intercom Kit. It includes: DHI-VTH2622GW-W: 2-wire & Wi-Fi Indoor Monitor DHI-VTO2202F-L: 2-wire IP Villa Door Station VTM115: Surface mounted box

Relevant Products

DHI-KTD02 (F)



DHI-VTO2202F-L



DHI-VTH2622GW-W



VTM114
(Flush mounted, Front)



VTM114
(Flush mounted, Back)

DHI-KTD02 (S)



DHI-VTO2202F-L

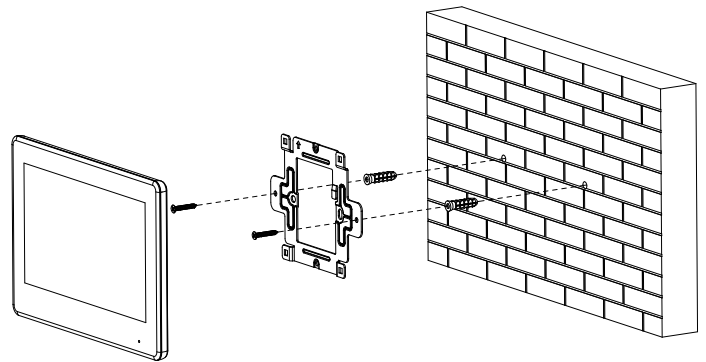


DHI-VTH2622GW-W

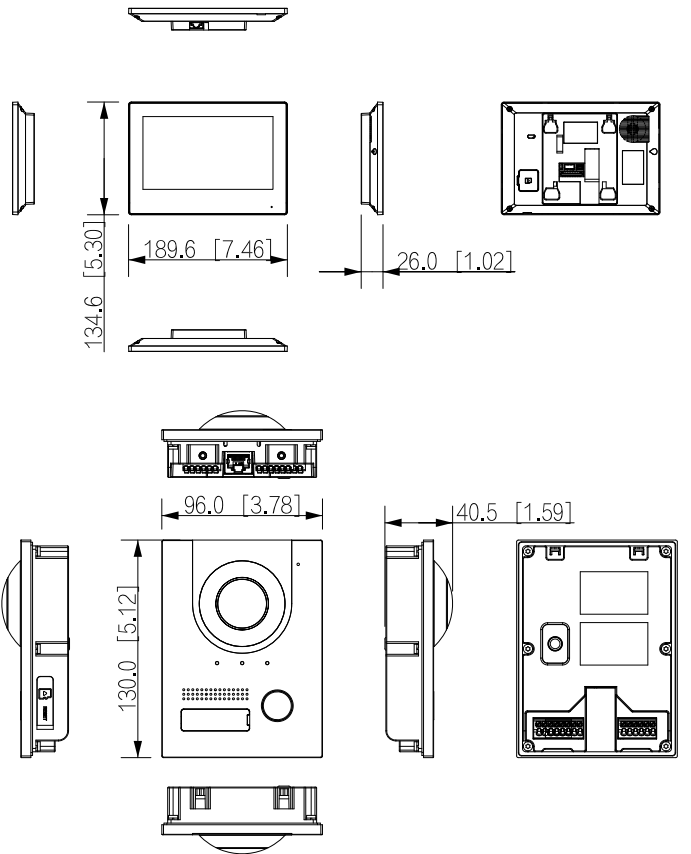


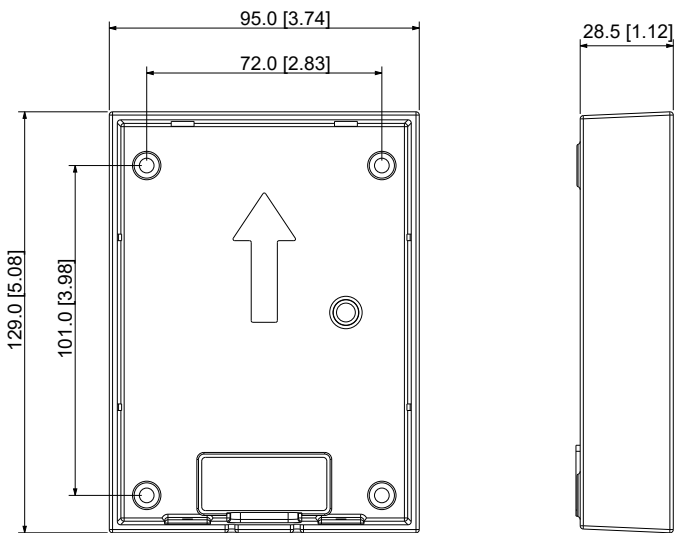
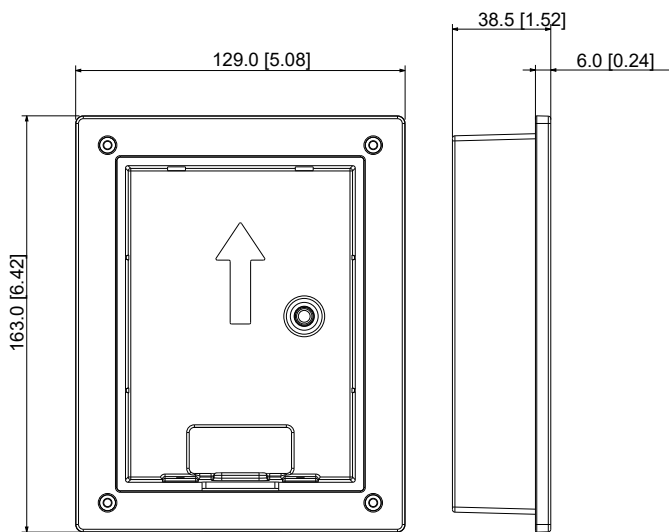
VTM115

Installation



Dimensions (mm[inch])





Application

