
DASHCAM

NORDVÄL DC101



English



NORDVÄL

HELLO,

Thank you for purchasing the Nordvål DC101 dashcam. Let's get started!

TABLE OF CONTENTS

Declaration of Conformity.....	3
What's in the box.....	4
Get to know your dashcam.....	5
Installation of your dashcam.....	7
Play recordings.....	8
Apps to connect your dashcam to.....	9
WiFi connection to your smartphone.....	9
Frequently asked questions.....	10
Specifications DC101.....	12

DECLARATION OF CONFORMITY

Product information

For the following

Product: radio equipment/dashcam

Type: DC101



Declaration and applicable standards

Hereby, TJM Supplies B.V. declares that the type of radio equipment / dashcam DC101 series conforms to:

Directive EMC 2014/53/EU and the RoHS directive (2011/65/EU) and its amendment directives 2015/863/EU on the restriction of the use of certain hazardous substances in electronic and electronic equipment.

The full text of the EU declaration of conformity can be found at the following internet address: www.nordval.eu/declaration-of-conformity/

Importer

Company:	TJM Supplies B.V.
Address:	Zompstraat 8 8102 HX Raalte The Netherlands
Email:	info@tjmsupplies.nl
Phone number:	+31 85-0402973
Business license number:	72016981
VAT number:	NL858946439B01

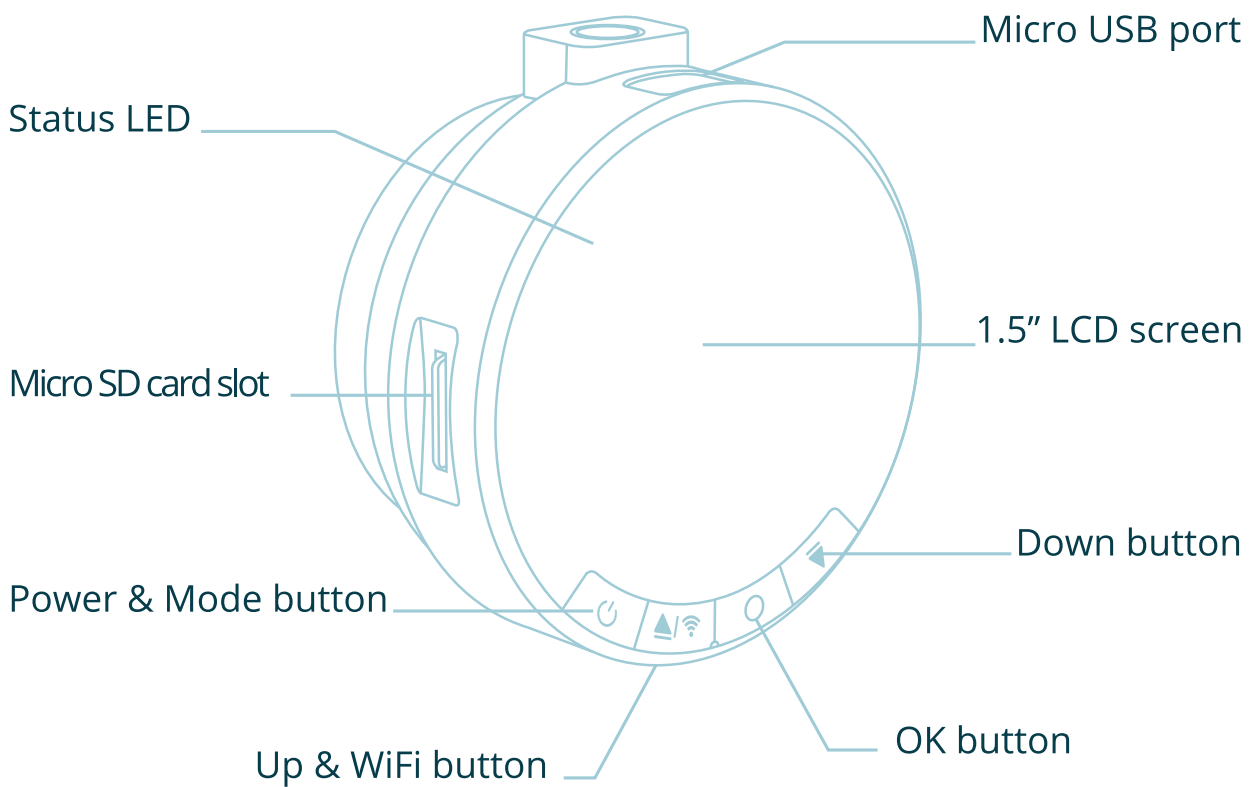
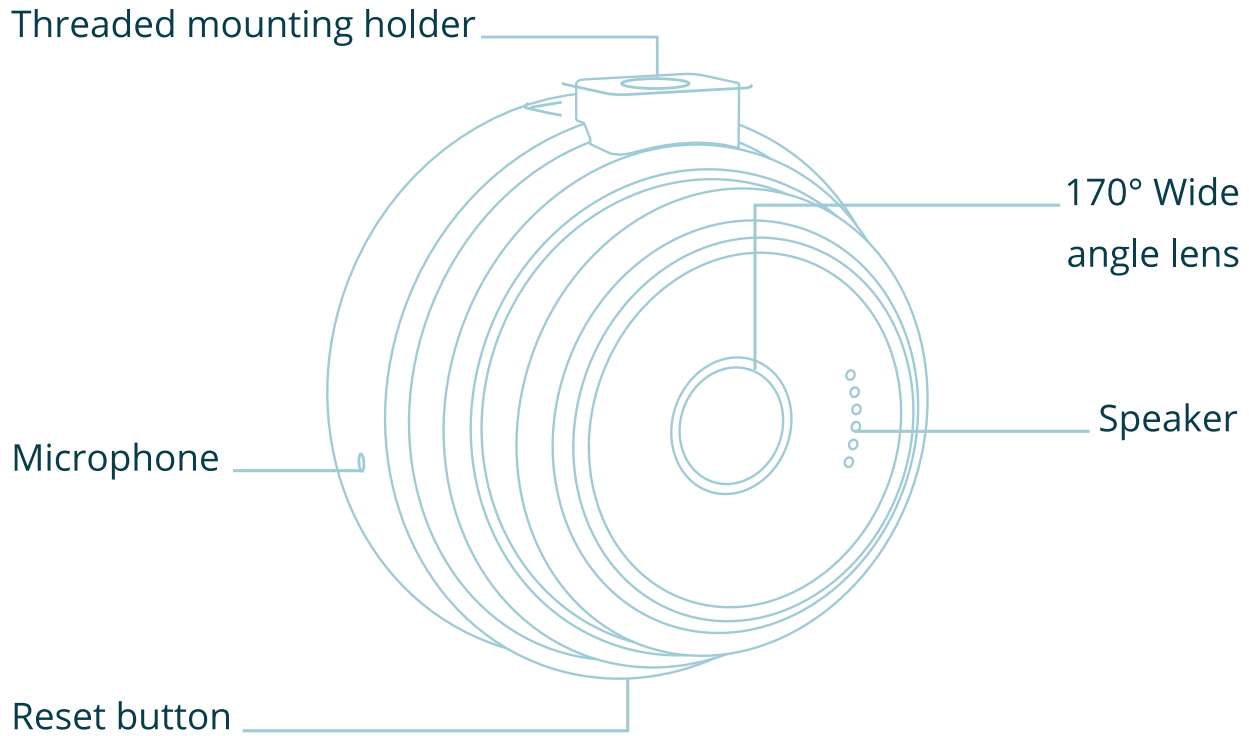
Manufactured in China

WHAT'S IN THE BOX

Please check the box for each of the following items before installing your dashcam:

- ▶ Nordväl DC101 dashcam
- ▶ 32GB microSD card
- ▶ 12V power cable (cigarette lighter)
- ▶ 3M tape mount
- ▶ Suction cup mount
- ▶ Screen protector
- ▶ USB data cable
- ▶ Quick start guide

GET TO KNOW YOUR DASHCAM



Keys and functions

Button	Function
Power & Mode button	Power on dashcam, access menu and use for navigation in menu.
Up & WiFi button	Use for navigation in menu and activate WiFi and/or view WiFi credentials.
Ok button	Stop/resume recording and use for navigation in menu.
Down button	Use for navigation in menu.

Meaning of the LED lights

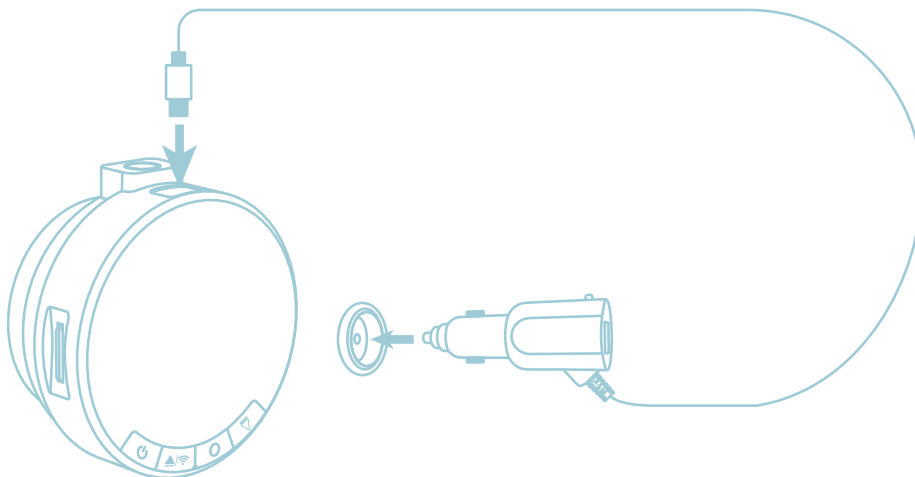
LED light	Function
Continuous blue	When not recording. The light will be continuous on if the dashcam is not recording.
Blue flash	The light will flash when recording.

INSTALLATION OF YOUR DASHCAM

Install the dashcam behind the rear view mirror. Clean and dry the windshield before installation.

Warning: Do not install the product in a location where it can obstruct the driver's field of vision.

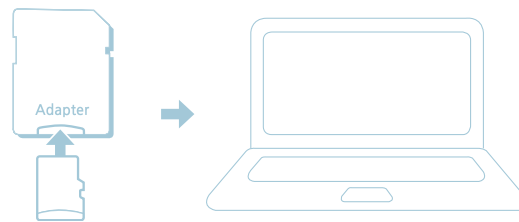
1. Turn off the engine. Gently push the micro SD card into the slot until it locks into place.
2. Peel off the plastic film from the dashcam. Peel off the protective film from the double-sided tape mount and/or film from the suction cup mount, and attach the front camera to the windshield behind the rear-viewer mirror.
3. Adjust the angle of the lens by rotating the body of the front camera. We recommend pointing the lens slightly downwards ($\approx 10^\circ$ below horizontal), so as to record video with a 6:4 road to background ratio.
4. Plug the power cord into the cigarette lighter socket and the front camera.



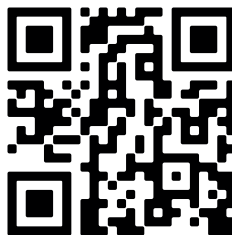
5. Turn on the engine. The dashcam will power up and start recording. Video files are stored on the microSD card. When the microSD card is full, the newest video files will start to replace the oldest video files (called loop recording) – so you will always have the most recent video files.

PLAY RECORDINGS

1. Remove the microSD card from the dashcam.
2. Use a USB microSD or SD card adapter and connect the card to a computer.



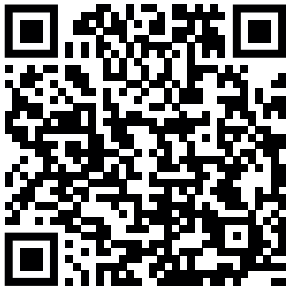
3. Play the files from your SD card, or copy them to your computer first.
4. You can also play the files from the dashcam screen, or through the app. Please check our full manual for the instructions here: www.nordval.eu/downloads/dashcams or scan the QR code.



APPS TO CONNECT YOUR DASHCAM TO

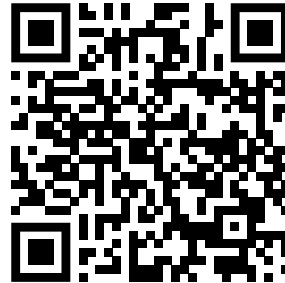
Android

Open the Google Play Store and search “Camaster” to download and install the app. You can also scan the QR code down below.



iOS

Open the Apple store search “Camaster” to download and install the app. You can also scan the QR code down below.



WiFi CONNECTION TO YOUR SMARTPHONE

Open your smartphone WiFi settings and select network: “Nordvål_CAM”
Use default password 12345678 to connect.

Once connected, launch the app to see live video, change camera settings or download captured videos and photos. For detailed instructions, view our full manual.

Forgot your WiFi password?

Turn on the dashcam, and while recording, press the up arrow / wifi icon button. The WiFi settings now appear on the dashcam screen.

FREQUENTLY ASKED QUESTIONS

The dashcam does not record.

Please check if there is a problem with the SD card. Try formatting the SD card, and if this does not work try replacing the SD card.

The dashcam sometimes automatically stops while recording.

There could be an issue with your SD card. Due to the huge amount of HD video data, please use high-speed Class 10 microSD cards (max 32GB).

How do I format the SD card?

You can format the SD card through the dashcam menu on your dashcam screen. Please view our full manual for the step-by-step instructions.

I cannot find the dashcam in my WiFi settings.

Please turn on the dashcam WiFi by pressing the WiFi button. The camera will mention the WiFi activation on its screen.

I cannot connect to the dashcam WiFi.

Switch of your smart network switch on your smartphone.

WiFi automatically disconnects.

When you are connected to the dashcam WiFi it will automatically disconnect after a while (when there is no activity).

Horizontal stripes in the recording.

This is due to the wrong setting of light frequency. Please set the frequency 60HZ or 50HZ according to your power supply.

The dashcam does not do anything anymore.

Is the dashcam still showing LED signals? Then there is power and there might be something wrong with the SD card. Please reset the dashcam and format the SD card and try again. Are there no LED lights? Please check your power supply.

How long is my dashcam covered under warranty?

We provide a 24-month warranty on all our products after purchase (with some exceptions).

Unfortunately we cannot treat products that have become defective due to incorrect use, fall damage, water damage, etc.

Your question not answered?

The frequently asked questions, solutions and tips are answered above.

Is your question not listed? Then go to:

www.nordval.eu/dashcams/dc101/faq

SPECIFICATIONS DC101

Product name	Nordvål DC101
Color/Size/Weight	Black, dark and light blue / 6x6,3x3,6 cm / 55g
Memory	MicroSD card, class 10 or higher. max. of 32GB
Recording modes	Normal recording, event recording and parking mode * (when motion is detected) * Use the optional Nordvål hardwired cable for parking mode.
Viewing Angle	170° wide angle lens
Resolution/Frame Rate	Full HD 1080p (1920 x 1080P) @ 30FPS
Video Codec	H.264, MOV files
Screen	1.5 inch LCD screen
Menu language	English, French, German, Italian, Russian, Japanese
G-sensor	Built-in
WiFi	Built-in
Microphone/Speaker	Yes/Yes
USB-port	Built-in
Time and date setting	Yes
Loop recording	Yes
Input	5V 2.5A
Battery	180 mAh backup battery
Warranty	2 years

Nordvål® is the registered trademark of TJM Zwerink Holding B.V.

Specifications are subject to change without notice. Copyright©2020 TJM Supplies B.V. All rights reserved

Manufactured in China



NORDVÅL
Smart technology