

PRODUCT TECHNICAL DATASHEET

R90/F4ES

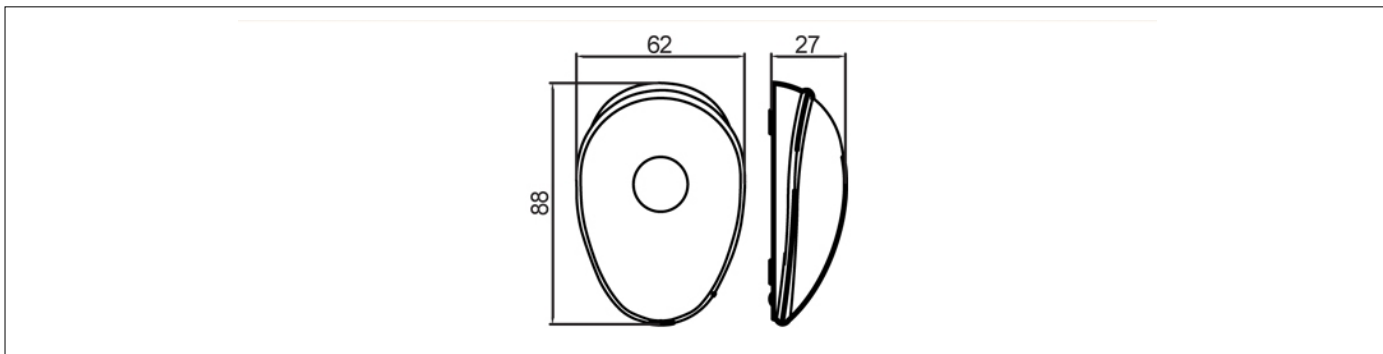


CODE	DESCRIPTION	PCS/PALLET
R90/F4ES	Pair of external photocells synchronized 24V AC/DC (max. 4 pairs).	

PRODUCT TECHNICAL SPECIFICATIONS

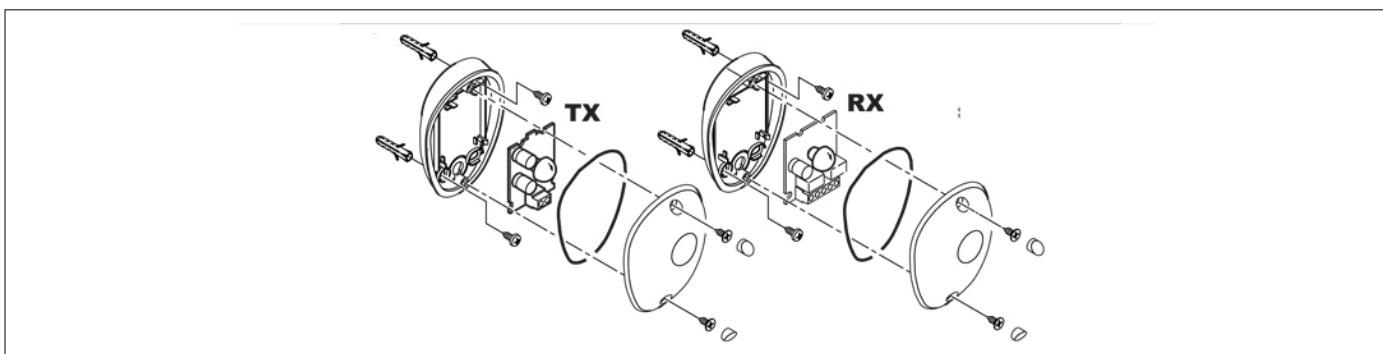
Standard power	24V AC - 50Hz - 24V DC
Absorption	TX 18 mA - RX 27 mA
Operating temperature	-20+55°C
Protection level	IP55
Maximum distance in open field	10 - 15 m
Maximum number of photocells synchronized	4
Orientation angle	-
Relay contacts max current	0.5A RX
Relay contacts max voltage	30V
Installation Type	External
Maximum dimension product in mm (L x W x H)	62 x 88 x 27
Product weight packed (Kg)	0,1

PRODUCT DIMENSIONS AND PREPARING FOR INSTALLATION



DIMENSIONS

PRODUCT PREPARING FOR INSTALLATION



PREDISPOSITION FOR STANDARD INSTALLATION

PRODUCT ACCESSORIES



CFT500
Pair of column H 500 for
photocells series R90.



CFT501
Pair of column H 1000 for
photocells series R90.