



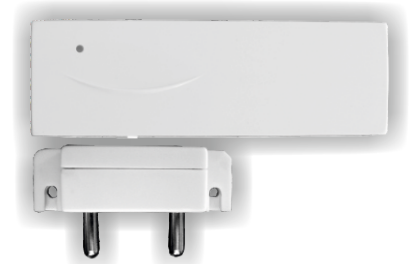
BRAVO FL Wireless Flood Detector

Description

BRAVO FL is a wireless flood detector designed for operation in BRAVO wireless intruder alarm systems or with ECLIPSE WL wireless expander in ECLIPSE hybrid systems. The detector is suitable for monitoring of 24-hour security type zones and can be located in a distance up to 400m away from the control panel.

The detector has two parts connected with a factory mounted 2 meters long connection wires.

BRAVO FL wireless flood detector is designed according the requirements and covers the standard EN50131, GRADE 2, Class II.



Technical Specifications

Battery 1x3V/1500mAh, CR123A type

Battery life 3 years

Operation frequency 868Mhz

Radio distance (open space) up to 400m

Operation temperature -10°C ÷ +50°C

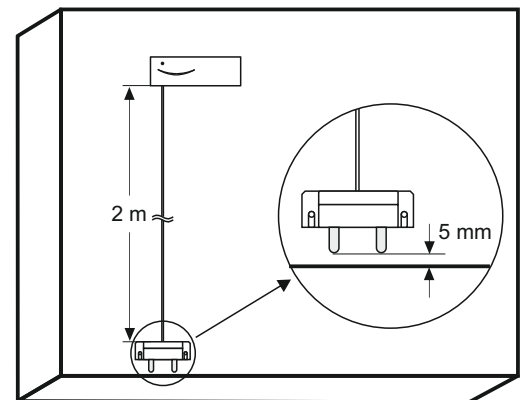
Storing temperature -40°C ÷ +50°C

Connection wires 2 x 0.35mm, white, 2m

Dimensions:

Main body 93 x 31 x 27 mm

Flood sensor. 64 x 19 x 13 mm



Functional Specifications

- Quick and easy mounting in the protected site
- Small size of the flood sensor
- Reset button for restoring the factory settings

Packing Information

- **Single packing box** - 1 unit BRAVO FL, dimensions 107 x 31 x 76mm
- **Master packing box** - 130 units BRAVO FL, dimensions 500 x 367 x 230mm

Compatible Product Range

- **BRAVO EXT** - Wireless panel with external power supply
- **BRAVO INTR** - Wireless panel with built-in power supply
- **ECLIPSE WL** - Wireless expander module for ECLIPSE control panels

Contact Information