

TF1600

Outdoor Fingerprint Access Control Terminal IP65 Rating and Resistance to Low Temperature



As one of the world's smallest IP-based fingerprint terminals for access control and time attendance application, TF1600 is specially designed for working in rugged outdoor environment particularly in very low temperature condition.

With built-in resistors, the device will be automatically heated up by itself if its MCU detects the temperature is below working requirement. TF1600 is adapted for operating temperature that ranges from -40 to 45, maximizing the minimum working environment.

Embedded with the latest firmware, TF1600 supports ZKAccess3.5 management software which has versatile features and powerful functions. Though there's no keypad available on TF1600, users can be registered on the device by the Master Card since it is integrated with 125KHz proximity card reader. It can also complete the enrollment through connecting with ZKAccess3.5 software by Ethernet.



Rugged Structure for Outdoor Installation and Extra Durability

- IP65 rated waterproof and dustproof structure



Resistance to Cold Environment

- Built-in resistors
- Automatic heating for required working temperature



Fast and Accurate Fingerprint Algorithm

- 1 touch a-second user recognition
- Store 3,000 fingerprints templates, 30,000 cards and 100,000 transactions



Easy Installation and Connectivity

- Wiegand input & output
- Network interface by TCP/IP or RS485



Full Access Control Features

- Anti-passback
- Access control interface for 3rd party electric lock, door sensor, exit button, alarm



Slim and Elegant Design

- One of the world's smallest fingerprint terminals
- Sleek and slim design for narrow spaces

Specifications

| | |
|-------------------------|-------------------------------|
| Fingerprint Sensor | Low Temperature Resistance |
| Algorithm Version | ZKFinger V10.0 |
| Communication | TCP/IP, RS485 |
| Fingerprint Capacity | 3,000 Fingerprints |
| Card Capacity | 30,000 Cards |
| Log Capacity | 100,000 Transactions |
| RF Card | EM(standard)/Mifare(optional) |
| Authentication | Finger/Card |
| Wiegand Signal | Wiegand input&output |
| Ingress Protection Rate | IP65 |
| Operating Voltage | 12VDC 3A |
| Operating Temperature | -40 °C~45 °C (40°F ~ 113°F) |
| Size | 62.5mm×185mm×41.5mm (W×H×D) |

Optional Accessories



FR1200



RFID Reader



Exit Button



Electric Lock

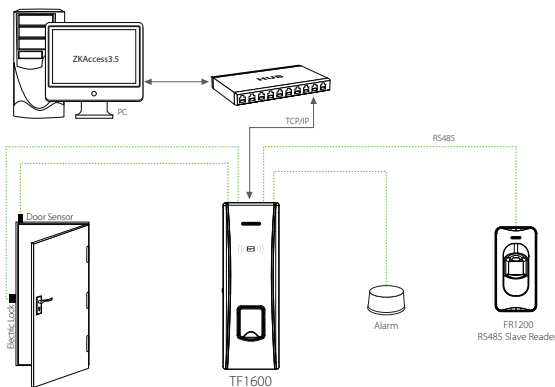


Alarm

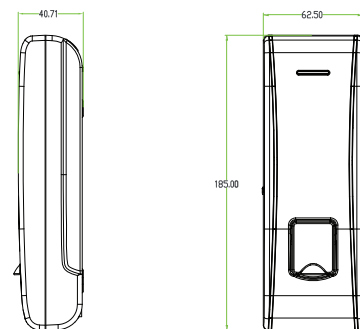


Sensor

Configuration



Dimensions (mm)



ZKTeco Europe

Carretera de Fuencarral 44. Edicio 1.
28108 Alcobendas, Madrid. SPAIN
E-mail: sales@zkteco.eu
www.zkteco.eu