



CFP704E-4

CFP Economy 4 Zone Conventional Fire Alarm Panel



Overview

LPCB certified to EN54-2/4, C-TEC's CFP 4zone economy fire alarm panel offers an array of user and installer-friendly features at a very competitive price.

Supplied in an attractive flush or surface mountable plastic enclosure, it includes four detector zones, four conventional sounder circuits, class change and alert inputs, four open collector outputs (fire, fault, reset and remote) and combined keypad/keyswitch entry.

Unlike our Standard CFP fire panel, the CFP704E-2 is NOT compatible with CFP repeaters, relay expansion boards or EN54-13 interface cards. It also has limited engineering functions.

Challenge Way, Martland Park
Wigan

T: 01942 322744 E: sales@c-tec.co.uk W: <https://www.c-tec.com>

More Information

Third-party certified to EN54 parts 2 and 4 by the Loss Prevention Certification Board (LPCB)

Intuitive user-friendly interface with colour-coded buttons and combined keypad/keyswitch entry

Manufactured by C-TEC in the UK

Four detector zone circuits

Four conventional sounder circuits

Integral 1.5A EN54-4/A2 compliant switch mode PSU

Wide range of test and fault-finding facilities

Four open-collector outputs (Fire, Fault, Remote and Reset)

'Class change' and alert inputs

Installer-friendly design

Attractive flush or surface mountable plastic lid and enclosure - no bezel required

Low 25mA quiescent current

Multiple indicators

No system expansion connections

Fully compatible with C-TEC's ActiV range of conventional fire detectors

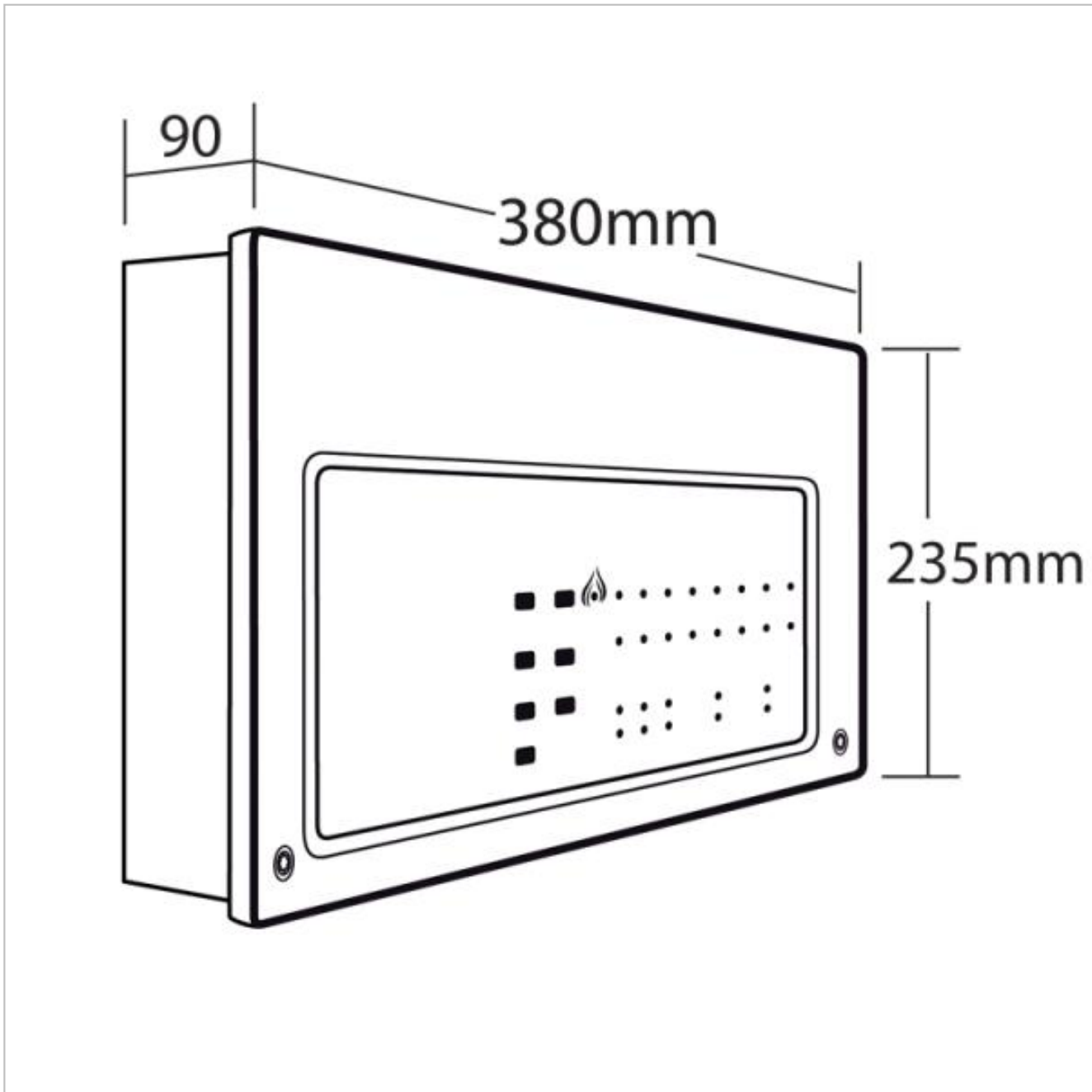
Technical Specifications

| | |
|---|--|
| Approvals/certifications | Certified to EN54-2/4 by the LPCB (176b) / (0832-CPR-F0576). |
| Mains supply | 230V 50/60Hz. |
| Mains rated current | 350mA maximum. |
| Internal power supply | 19V-28.5V (27V nominal). Ripple 7V maximum (battery fault). |
| Total output current limited to | 1.5A @ 230Vac (ImaxA eq 146mA). |
| Quiescent current | 25mA (mains failed, internal sounder active, PSU & gen fault LED lit). |
| Alarm voltage | 27V max, 20V min (final battery voltage). |
| Max battery size and type | 2 x 12V 3.2Ah VRLA connected in series. Min. battery size 1.2Ah. |
| No. of detector zone circuits | 4 (Max. length per circuit is 500m). |
| Call point resistor value | 470 to 680 Ω . |
| Max. devices per detector zone | 25 detectors (or 32 detectors/manual call points combined). |
| No. of conventional sounder circuits | 4 (Max. length per circuit is 500m). |
| EOL resistor value | 6800 Ω 5% Tol. 0/25W (blue, grey, red, gold). |
| Max. sounder output current | 4 x 200mA (800mA total). |
| Auxiliary relays | None. |
| Open collector outputs | Four: (1) Aux. Fire; (2) Fault; (3) Reset (Active during reset cycle); (4) Remote (Active during any unsilenced fire condition provided all relevant delays have expired). Max. sink current 30mA, Max. open circuit voltage 27Vdc). |
| Other outputs | 24V Aux. Power (Protected by a resettable fuse. 100mA min. hold current. Resets when fault removed). |
| Auxiliary inputs | Two: (1) 'Class Change' (constant sounders); (2) Alert (pulsed sounders). Connect to 0V to trigger, Max. input voltage 27V (non-latching). |
| Engineer (AL3) functions | Invoke One Man Walk Test; Program sounders to resound (or not resound) when a new zone enters alarm; Enter fault diagnostic facilities. |
| Expansion connections | None. The CFP Economy panel CAN NOT be extended with CFP repeaters, relay cards or EN54-13 interface boards. |
| Product dimensions (mm) | 380 W x 235 H x D 96mm. |
| Construction & finish | Plastic lid and base; RAL7035 textured. |

Challenge Way, Martland Park
Wigan

T: 01942 322744 E: sales@c-tec.co.uk W: <https://www.c-tec.com>

| | |
|---|--|
| IP Rating | IP30. |
| Weight | 1.75kg (without batteries). |
| Operating conditions/temperature | -5°C to +40°C. Max relative humidity: 95%. |



Datasheet generated from <https://www.electrika.com> last updated Tuesday, March 26, 2019 2:10:06 PM