

## M60 Handheld Thermography Camera



HIKMICRO M60 handheld camera is specially designed for temperature measurement. It's equipped with a 640 × 480 resolution thermal detector. It helps the staff to quickly find the high-temperature targets in the environment. Meanwhile, it provides assistance with decisions and ensures safety. The device is mainly applied to various industries, such as Building, HVAC, auto industry, etc.

### Key Feature

- High sensitivity thermal module with 640 × 480 resolution
- SuperIR up to 1280 × 960 (1,228,800 pixels)
- Supports multiple palettes
- High quality optical module with 8 MP resolution
- Bi-spectrum image fusion, picture-in-picture preview
- Wide temperature measurement range: -20°C to 650°C
- High temperature measurement accuracy: Max. ( $\pm 2^{\circ}\text{C}/3.6^{\circ}\text{F}$ ,  $\pm 2\%$ ), for ambient temperature 15°C to 35°C (59°F to 95°F) and object temperature above 0°C (32°F)
- 640 × 480 resolution 3.5" LCD touch display
- Long-distance laser light supplement for thermography targets
- LED light supplement makes the device a torch in required scenarios
- 1.0x to 8.0x continuous digital zoom
- Supports remote album access, download and quick report with APP

## ▪ Specification

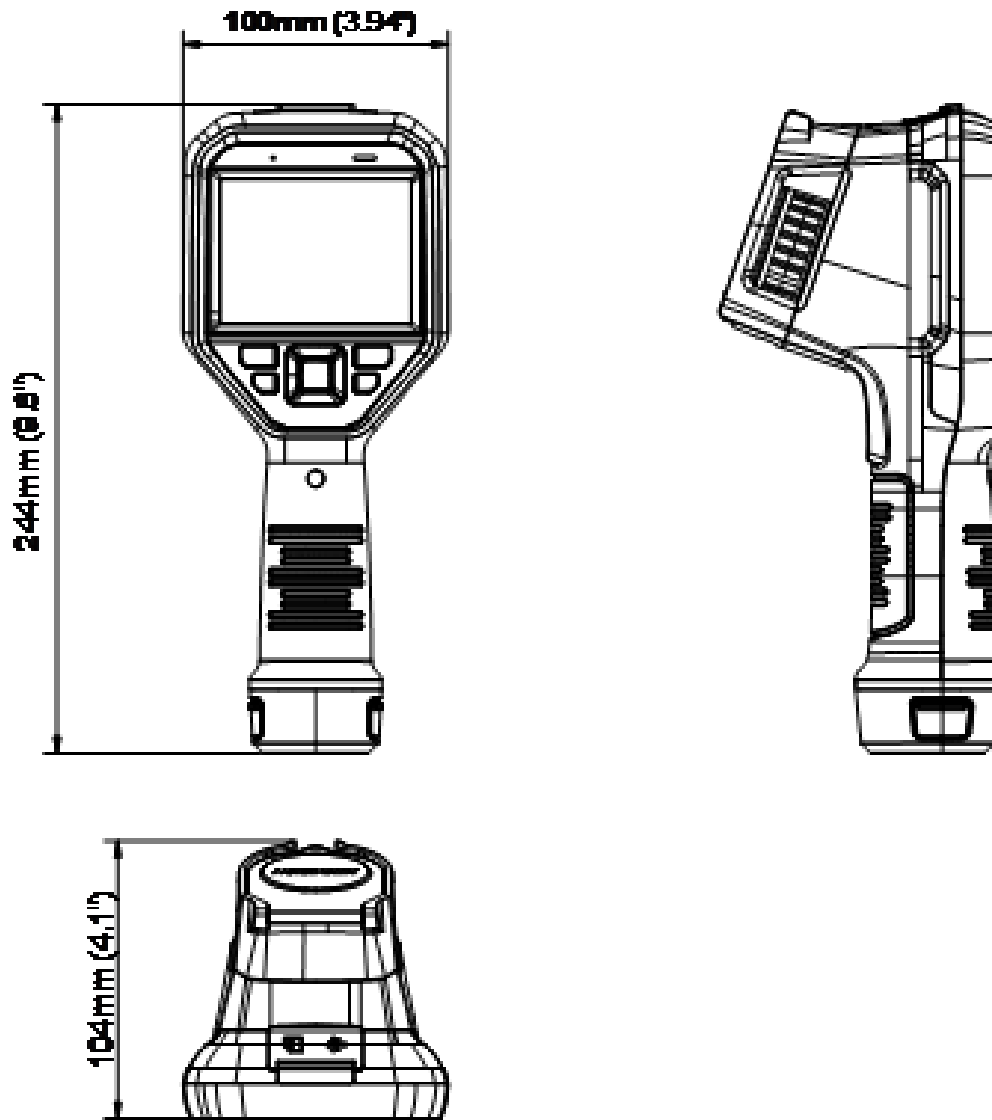
| <b>Infrared Image</b>                 |   |
|---------------------------------------|---|
| IR Resolution                         | 640 x 480 (307,200 pixels)  |
| SuperIR                               | 1280 x 960 (1,228,800 pixels)   |
| NETD                                  | < 35 mK (@ 25°C, F#=1.0)  |
| Image Frequency                       | 25 Hz   |
| Detector Pitch                        | 17 µm   |
| Spectral Range                        | 7.5 to 14 µm  |
| Focal Length                          | 15 mm   |
| F-number                              | F1.0  |
| Field of View (FOV)                   | 41.9° × 33.3°   |
| Spatial Resolution (IFOV)             | 1.13 mrad   |
| Min. Focus Distance                   | 0.3 m (0.98 ft)   |
| Focus Mode                            | Manual Focus  |
| <b>Image Display</b>                  |   |
| Visual Camera                         | 3264 × 2448 (8 MP)  |
| Display                               | 640 × 480 Resolution, 3.5" LCD Touch Screen   |
| Screen Brightness                     | Manual  |
| Digital Zoom                          | 1.0x to 8.0x continuous   |
| Color Palettes                        | White Hot, Black Hot, Rainbow, Ironbow, Red Hot, Fusion, Rain, Blue Red                           |
| Focus Mode Palette                    | Above/Below/Interval  |
| Color Alarm                           | Above/Below/Interval/Insulation   |
| Image Modes                           | Thermal/Visual/Fusion/PIP/Blending  |
| <b>Measurement and Analysis</b>       |   |
| Object Temperature Range              | -20°C to 650°C (-4°F to 1202°F)   |
| Accuracy                              | Max (±2°C/3.6°F, ±2%)   |
| Measurement Tools                     | Center Spot, Hot Spot, Cold Spot<br>User-definable: 10 spots, 1 line, 5 rectangles, and 5 circles |
| Level and Span Mode                   | Auto/Manual/1-Tap Touch-screen  |
| <b>Data Storage and Communication</b> |   |
| Storage Media                         | Removable 64 GB Micro SD Card   |
| Image Storage Capacity                | Approx. 35,000 Images   |
| Annotations                           | Voice note: max. 60 seconds;<br>Text note: max. 200 characters                                    |
| Video Storage Capacity                | Approx. 54 hours  |
| Video File Format                     | MP4 video<br>and radiometric video  |
| <b>General</b>                        |   |
| Wi-Fi                                 | 802.11 b/g/n (2.4 GHz and 5 GHz)  |
| Bluetooth                             | Bluetooth 4.2   |
| USB Interface                         | USB Type-C  |

|                           |  |
|---------------------------|--|
| LED Light                 | Yes  |
| Laser                     | Yes, Class II, Wavelength: 650 nm; Power: < 1 mW                                 |
| Battery Type              | Interchangeable and rechargeable Li-ion battery                                  |
| Battery Operating Time    | Approx. 4 hours  |
| Battery Charging Time     | Approx. 4 hours fully charged  |
| Power Saving Mode         | No   |
| Protection Level          | IP54   |
| Drop Test Height          | 2 m (6.56 ft)  |
| Safety                    | IEC 61010-1  |
| EMC                       | EN55032, EN61326-1, EN61000-3-2, EN61000-3-3, EN IEC 61000-6-2, EN IEC 61000-6-3 |
| Vibration                 | 0.03 g <sup>2</sup> /Hz (3.8 g), 2.5 g IEC 60068-2-6                             |
| Shock                     | 25 g, IEC 60068-2-27   |
| Working Temperature Range | -20°C to 50°C (-4°F to 122°F)  |
| Relative Humidity         | < 95% non-condensing   |
| Storage Temperature Range | -20°C to 70°C (-4°F to 158°F)  |
| Weight                    | Approx. 686 g (1.51 lb)  |
| Dimension                 | 244 × 100 × 104 mm (9.6 × 3.9 × 4.1 in)  |
| Tripod Mounting           | UNC ¼"-20  |

## ▪ Available Model

M60

▪ Dimension



Unit: mm (inch)

## ▪ Optional Accessories



E097-13-1S1P26650



HM-5202ZC



HM-SP01-POUCH



HM-2925ZJ-TM01-  
BRACKET

COMPLIANCE NOTICE: The thermal series products might be subject to export controls in various countries or regions, including without limitation, the United States, European Union, United Kingdom and/or other member countries of the Wassenaar Arrangement. Please consult your professional legal or compliance expert or local government authorities for any necessary export license requirements if you intend to transfer, export, re-export the thermal series products between different countries.

