

# PERFORMANCE SERIES

## H4W4PER3V



### Network WDR 4MP IR Rugged Mini Dome Camera



| OPERATIONAL              |   |
|--------------------------|---|
| Video Standard           | NTSC / PAL  |
| Scanning System          | Progressive   |
| Image Sensor             | 1/3.0" 4 Megapixel progressive CMOS   |
| Number Of Pixels(H x V)  | 2688 x 1520   |
| Minimum Illumination     | 0.005 Lux / F1.6(color,30 IRE) 0 Lux / F1.6(IR ON)  |
| S/N Ratio                | More than 50 dB   |
| Electronic Shutter Speed | 1 / 3~1 / 100000s   |
| IR Distance              | Up to 50m(164.0 ft), depending on scene reflectance   |
| IR Light Control         | Manual / Smart IR / OFF   |
| IR Light Number          | 3   |
| Day/Night                | Auto(ICR) / Color / B&W   |
| Backlight Compensation   | BLC / HLC / WDR   |
| Wide Dynamic Range       | 120 dB  |
| White Balance            | Auto / Natural / Street Lamp / Outdoor / Manual / Customized Region   |
| Gain Control             | 0~100   |
| Noise Reduction          | 3D DNR  |
| Privacy Masking          | Off / On (4 Areas, Rectangle)   |
| Motion Detection         | Off / On (4 Zones, Rectangle)   |
| Region Of Interest       | Off / On (4 Zones)  |
| Lens                     | 2.8 mm Fixed, F1.6  |
| Angle Of View            | H:103°, V:55°, D:122°   |
| Alarm Input/Output       | 1 In; 1 Out   |
| VIDEO                    |   |
| Compression              | H.265 / H.264 / Smart Codec / MJPEG (Sub Stream)  |
| Resolution               | 4M (2688 x 1520); 3M (2304 x 1296); 1080p (1920 x 1080); 1.3M (1280 x 960); 720p (1280 x 720); D1 (704 x 576 / 704 x 480); VGA (640 x 480); CIF (352 x 288/352 x 240)   |
| Frame Rate               | Main Stream: 2688 x 1520 / 2304 x 1296 / 1920 x 1080 / 1280 x 960 / 1280 x 720@ (1 ~ 25/30 fps)<br>Sub Stream: 704 x 576 / 640 x 480 / 352 x 288@ (1 ~ 25 fps); 704 x 480 / 640 x 480 / 352 x 240@ (1 ~ 30 fps)<br>Third Stream: 1280 x 720 / 704 x 576 / 640 x 480@ (1 ~ 25 fps); 1280 x 720 / 704 x 480 / 640 x 480@ (1 ~ 30 fps) |
| Bit Rate Control         | CBR / VBR   |
| Bit Rate                 | H.264: 3 kbps~8192 kbps<br>H.265: 3 kbps~8192 kbps  |
| Analytics                | Motion Detection, Video Tamper, Scene Change, Smart Motion Detection, Smart Tripwire, Smart Intrusion, Face Detection   |
| AUDIO                    |   |
| Interface                | 1 In; 1 Out   |

| NETWORK               |  |
|-----------------------|--|
| Ethernet              | RJ-45 (10/100 Base-T)  |
| Protocols*            | HTTP; HTTPS; TCP; ARP; RTSP; RTP; RTCP; UDP; SMTP; DHCP; DNS; PPPoE; IPv4/v6; QoS; UPnP; NTP; Bonjour; IEEE 802.1x; Multicast; ICMP; IGMP; TLS                                     |
| Compatibility         | ONVIF Profile S / G / Q / T  |
| Maximum Users Access  | 20 users   |
| Security              | User account and password protection HTTPS, IP Filter, Digest authentication, User access log, TLS1.2 only, AES-128 / 256, SSH / Telnet closed, sFTP by default, PCIDSS compliance |
| Event                 | No SD card, SD card error, Capacity warning, Network disconnection, IP conflict, Illegal access  |
| Micro SD              | Supports max. 256 GB Micro SD card   |
| ELECTRICAL            |  |
| Power Supply          | DC12V, PoE (802.3 af)(Class 0)   |
| Power Consumption     | <7.3W  |
| MECHANICAL            |  |
| Dimensions            | Ø81 mm x 109.9 mm(3.20" x 4.30")   |
| Product Weight        | 0.35 kg (0.77 lb)  |
| Package Weight        | 0.48 kg (1.06 lb)  |
| Construction          | Die-cast aluminum housing with powder coat   |
| Construction Color    | RAL 9003 (White)   |
| ENVIRONMENTAL         |  |
| Operating Temperature | -40°C to 60°C (-40°F to 140°F)   |
| Relative Humidity     | Less than 95%, non-condensing IP   |
| Ingress Protection    | IP66   |
| Vandal Resistance     | IK10   |
| REGULATORY            |  |
| Emissions             | FCC Part 15B, EN55032  |
| Immunity              | EN 50130-4   |
| Safety                | UL 60950-1, EN 62368-1   |
| RoHS                  | EN 50581   |

\* Some development may be required in specific user cases to support some of these protocols in the field as they mature over time.

# PERFORMANCE SERIES NETWORK WDR 4MP IR RUGGED MINI DOME CAMERA

## RECOMMENDED ACCESSORIES


### SYSTEM INTEGRATION

|        |   |
|--------|---|
| HEN*4  | 8 / 16 / 32 / 64-Channel Performance Series 4K NVRs (H.264 and H.265) |
| HEN*3  | 4 / 8 / 16 / 32-Channel Performance Series 4K NVRs (H.264 and H.265)  |
| HEN*3V | 4 / 8 / 16-Channel Embedded NVRs (H.265)                              |

### MOUNTS AND ACCESSORIES

|          |   |                    |
|----------|---|--------------------|
| HQA-PK   |  | Pendant Mount Cap  |
| HQA-WK** |  | Wall Mount Bracket |

### MOUNTS AND ACCESSORIES

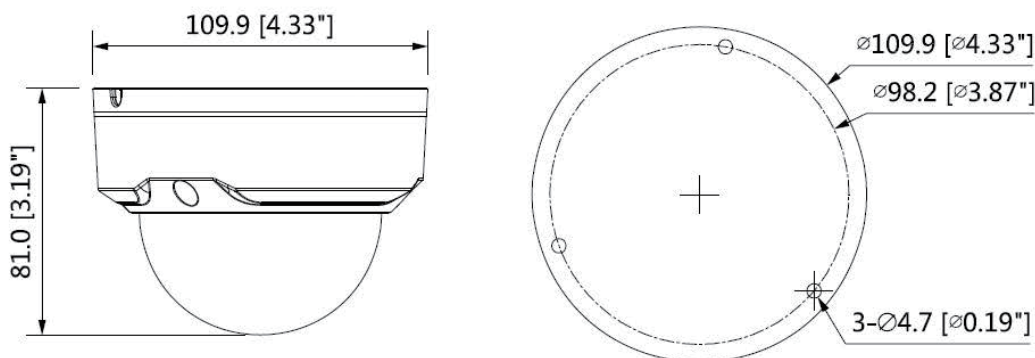
|         |   |                              |
|---------|---|------------------------------|
| HQA-PM2 |  | Pole Mount Adapter           |
| HQA-CBE |  | Ceiling Mount Extend Bracket |

The HQA-WK must be used when installing the camera to HQA-PM2.

### ORDERING

|           |  |
|-----------|--|
| H4W4PER3V | Network WDR 4MP IR Rugged Mini Dome Camera, 1/3.0" CMOS, 2.8 mm Fixed, 3 IR LEDs, PoE, IP66, IK10, H.265 / Smart Codec |
|-----------|--|

## DIMENSIONS



#### For more information

[www.security.honeywell.com/uk](http://www.security.honeywell.com/uk)  
[www.security.honeywell.com/me](http://www.security.honeywell.com/me)

#### Honeywell Commercial Security

Emaar Business Park, Sheikh Zayed Road  
 Building No. 2, 2nd floor, 201  
 Post Office Box 232362  
 Dubai, United Arab Emirates  
 Tel: +971 4 450 5800

140 Waterside Road  
 Hamilton Industrial Park  
 Leicester LE5 1TN  
 United Kingdom  
 Tel: +44 (0) 1928 378005  
[www.honeywell.com](http://www.honeywell.com)

ONVIF and the ONVIF logo are trademarks of ONVIF Inc.  
 Honeywell reserves the right, without notification, to make changes in product design or specifications.

HSV-H4W4PER3V-01-UK(0921)DS-Y  
 © 2021 Honeywell International Inc.

**Honeywell**