

OWL OH25 Handheld Thermal Monocular Camera



HikMicro OWL OH25 handheld thermal monocular camera is equipped with a 384×288 infrared detector and a 1024×768 OLED display. It supports functions of observation, highest temperature target tracking, distance measurement, Wi-Fi hot spot, and so on. The high-sensitivity built-in thermal detector provides you with clear view even in total darkness. The monocular is mainly applied to scenarios such as hiking, travel, hunting, searching and rescuing, etc.

Key Features

- High sensitivity thermal module with 384×288 resolution
- NETD < 35 mK (@25 °C, F#=1.0)
- Leading thermal image processing technology: Adaptive AGC, DDE, 3D DNR
- 1024×768 resolution 0.39-inch OLED display
- Built-in rechargeable Li-ion battery
- Up to 7 hours continuous operation

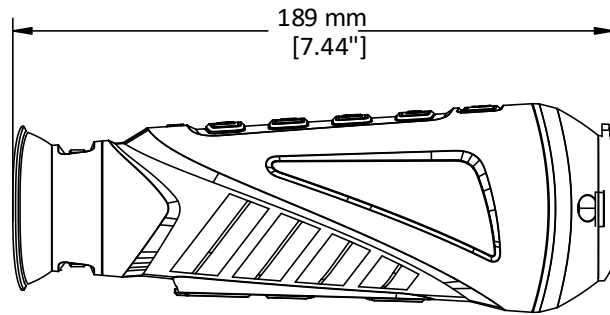
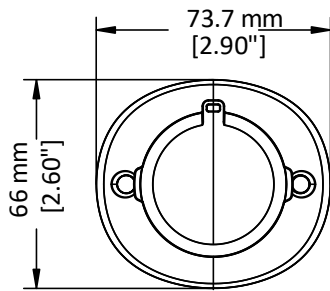
▪ Specification

Thermal Module	
Image Sensor	VOx Uncooled Focal Plane Arrays
Resolution	384 × 288
Frame Frequency	50 Hz
Pixel Interval	17 μm
Response Waveband	8 μm to 14 μm
NETD	Less than 35 mK (@25°C),F#=1.0
Focal Length	25 mm
Field of View	14.88° × 11.19° (H × V)
Aperture	F1.0
Magnification	1.7 - 13.6
Image Display	
Monitor	0.39 inch, OLED, 1024 × 768
Palettes	Black Hot, White Hot, Red Hot, Fusion
FFC (Flat Field Correction) Mode	Auto, Manual, External Correction
Digital Zoom	1×,2×,4×,8×
Smart Function	
Hot Track	Yes
Detection Range	882 m
System	
Storage	Built-in memory module (16 GB)
Record Video	Yes
Capture Snapshot	Yes
Wi-Fi	Yes
Standby Mode	Yes
Power Supply	
Battery Type	Rechargeable Lithium Battery
Battery Operating Time	7 hours continuous running with Wi-Fi hot spot function off (@25 °C) 5.5 hours continuous running with Wi-Fi hot spot function on (@25 °C)
Battery Capacity Display	Yes
General	
Mounting	UNC 1/4' - 20
Hardware Interface	Type-C USB
Power	5 VDC/2 A
Power Consumption	1.5 W
Work Temperature/Humidity	From -30°C to 55°C (-22°F to 131°F); Humidity: 90% or Less
Protection Level	IP67
Vibration & Shock	MIL-STD-810F
Drop Test Height	2 m (6.56 feet)
Dimension	189 mm × 73.7 mm × 66 mm (7.44" × 2.90" × 2.60")
Weight	460 g (1.01 lb)

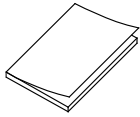
Available Model

HM-TS03-25XF/W-OH25

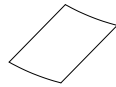
Dimension



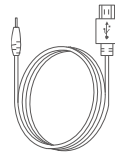
Accessory



Quick Start Guide
(x1)



Non-dust Cloth (x1)



USB Cable (x1)



Protective Bag (x1)



Wrist Strap (x1)