

Mini1 Smartphone Module



The Smartphone Module is designed to inspect electrical equipment, troubleshooting HVAC problems. Equipped with functional thermal App for smartphone, the Smartphone Module enables you to get the thermal imaging on your phone.

Key Features

- Thermal resolution: 160 × 120 (19 200 pixels)
- NETD: < 40 mK (@ 25 °C, F#=1.0)
- Accuracy: Max ($\pm 2^{\circ}\text{C}/3.6^{\circ}\text{F}$, $\pm 2\%$), applicable 60 sec after start-up when the ambient temperature 15°C to 35°C (59°F to 95°F) and object temperature above 0°C (32°F)
- USB Type-C Interface (Android)
- 26 g Weight

Specification

| Thermal Module | |
|------------------------------|--|
| Image Sensor | Vanadium Oxide Uncooled Focal Plane Arrays |
| IR Resolution | 160 × 120 (19 200 pixels) |
| Pixel Pitch | 17 μm |
| Spectrum Range | 8 - 14 μm |
| NETD | < 40 mK (@ 25 °C, F#=1.0) |
| Focal Length | 3.2 mm |
| FOV (Field of View) | 50° × 38° (H × V) |
| Minimum Focus Distance | 20 cm |
| Focus | Fixed |
| Image Frequency | 25 Hz |
| Aperture | F1.1 |
| Thermography Function | |
| Accuracy | Max (±2°C/3.6°F, ±2%), applicable 60 sec after start-up when the ambient temperature 15°C to 35°C (59°F to 95°F) and object temperature above 0°C (32°F) |
| Object Temperature Range | -20 °C to 350 °C (-4°F to 662°F) |
| Shutter | Automatic/Manual |
| General | |
| Power | Powered by Smartphone |
| Phone | Android (USB Type-C Interface) |
| Working Temperature Range | 15 °C to 35 °C (59°F to 95°F) |
| Storage Temperature Range | -20 °C to 60 °C (-4°F to 140°F) |
| Protection Level | IP40 |
| Mechanical Shock | Drop from 1 m (3.28 ft) |
| Weight | 26 g (0.057 lb) |
| Dimension | 54.1 mm × 15 mm × 27.5 mm (2.13" × 0.59" × 1.08") |
| Power Consumption | 300mW |
| APP | |
| Measurement Presets | Hot Spot, Cold Spot, Center Spot, 3 Point Presets, 3 Area Presets, Off |
| Color Palettes | Black Hot, White Hot, Red Hot, Rainbow, Ironbow, Fusion, Rain |
| Video Format | MP4 |
| Image Format | JPEG |

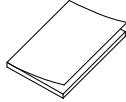
Available Model

HM-TJ11-3AMF-Mini1

Packing List

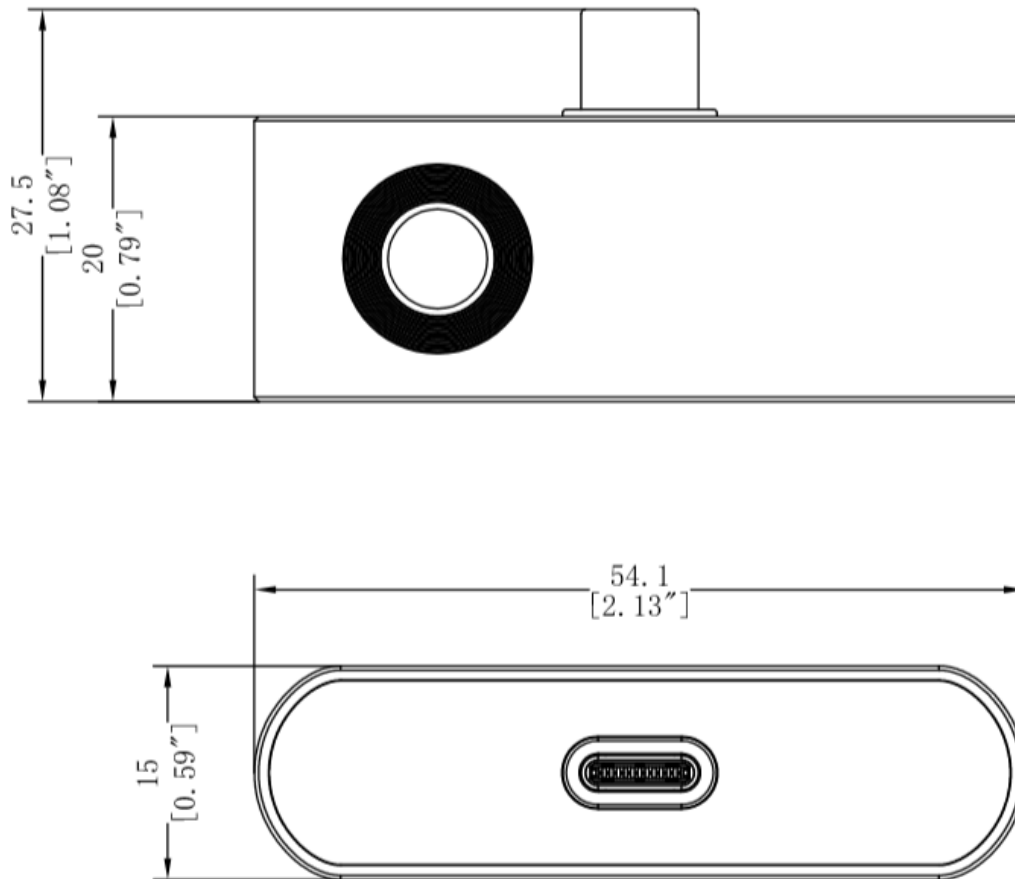


Storage bag (x1)



QSG (x1)

Dimension



Unit:mm[Inch]