



CH35L

Thermal Monocular

HIKMICRO CONDOR CH35L thermal monocular is equipped with a $384 \times 288 @ 12 \mu\text{m}$ infrared detector and a 1024×768 OLED display. With less than 20 mK NETD, which represents high thermal sensitivity, it ensures perfect image quality and detail recognition even in the hardest weather conditions. Its 1000 m Laser rangefinder can accurately measure the distance when you are stalking or observing under low-light conditions. It can be applied mainly in forest hunting, birding, animal searching, adventuring, and recusing scenario.

Key Feature

- High sensitivity thermal module NETD < 20 mK (@25°C, F# = 1.0)
- 384×288 resolution with $12 \mu\text{m}$ detector
- 1024×768 resolution 0.39-inch OLED display
- Advanced image processing technology
- Image Pro for enhancing detail recognition
- Zoom Pro for digital zooming without loss of picture quality
- Replaceable and rechargeable Li-ion battery
- Up to 4.5 hours of continuous operation
- 400 g lightweight, with a compact and ergonomic design

Specification

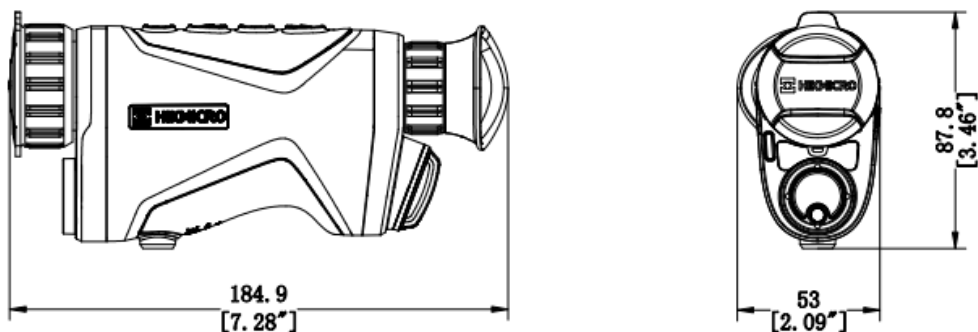
| Thermal Module | |
|--|---------------------------------------|
| Image Sensor | VOx Uncooled Focal Plane Arrays |
| Max. Resolution | 384 × 288 |
| Frame Rate | 50 Hz |
| Pixel Interval | 12 μm |
| Response Waveband | 8 μm to 14 μm |
| NETD | Less than 20 mK (@25°C), F# = 1.0 |
| Lens (Focal Length) | 35 mm, f1.0 |
| Focus Mode | Focus Ring |
| Detection Range | 1800 m |
| Min. Focusing Distance | 3.5 m |
| Magnification | 3.5× to 28.0× (8×) |
| Field of View(H × V), Degrees / m @100 m | 7.5° × 5.6°/13.1 m × 9.7 m @ 100 m |
| Image Display | |
| Display | 1024 × 768, 0.39 inch, OLED |
| Palettes | Black Hot, White Hot, Red Hot, Fusion |
| FFC (Flat Field Correction) Mode | Auto, Manual, External Correction |
| Exit Pupil | 4 mm |
| Eye Relief | 15 mm |
| Diopter (Range) | -5 D to +3 D |
| Brightness Adjustment | Yes |
| Tone Adjustment | Cold, Warm |
| Contrast Adjustment | Yes |
| Image Pro | Yes |
| Zoom Pro | Yes |
| System | |
| Record Video | Yes |
| Capture Snapshot | Yes |
| Audio Recording | Yes |
| Standby Mode | Yes |
| Storage | Yes |
| PIP | Yes |
| Hotspot | Yes |
| Hot Track | Yes |
| Distance Measurement | Yes |

| Power Supply | |
|------------------------|--|
| Battery Type | Replaceable and Rechargeable Li-ion Battery |
| Battery Operating Time | 4.5-hour continuous running with CVBS and hotspot function off (@25°C) |
| Type-C Power Supply | 5 VDC, 2 A Supports External Power Supply |
| General | |
| Protection Level | IP67 |
| Dimension | 184.9 mm × 53 mm × 87.8 mm (7.28" × 2.09" × 3.46") |
| Weight | 400 g without battery |
| Working Temperature | -30°C to +55°C |
| Laser Rangefinder | |
| Safety Class for Laser | Class 1 |
| Wavelength | 905 nm |
| Max. Measuring Range | 1000 m |
| Measurement Accuracy | ± 1 m |
| Min. Measuring Range | 10 m |

▪ Available Model

HM-TS63-35QG/WL-CH35L

▪ Dimension



Unit: mm

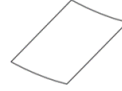
▪ Accessories



Protective Bag (x1)



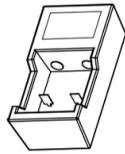
Quick Start Guide (x1)



Non-dust Cloth (x1)



USB Cable (x1)



Charger (x1)



Cell (x3)

COMPLIANCE NOTICE: The thermal series products might be subject to export controls in various countries or regions, including without limitation, the United States, European Union, United Kingdom and/or other member countries of the Wassenaar Arrangement. Please consult your professional legal or compliance expert or local government authorities for any necessary export license requirements if you intend to transfer, export, re-export the thermal series products between different countries.



 HIKMICRO Outdoor  hikmicro_outdoor  HIKMICRO Outdoor  HIKMICRO  info@hikmicrotech.com  <http://hikmicrotech.com/en>

Room 313, Unit B, Building 2, 399 Danfeng Road, Xixing Subdistrict, Binjiang District, Hangzhou, Zhejiang
@hangzhou microimage software co.,Ltd .2020 | data subject to change without notice!