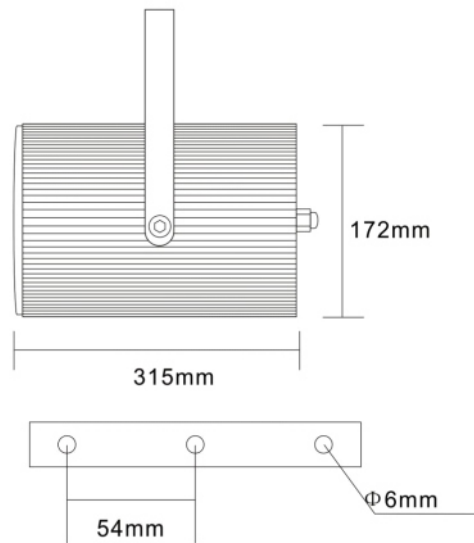




Uni-directional Projection Loudspeaker

T-770



Material: Aluminum alloy

Description:

Straight horn, aluminum alloy structure, anti-rust and anti-corrosion strong, can be arbitrarily adjusted Angle; Suitable for railway station, bus station, etc.

Specifications:

Model	T-770
Power Taps @100V	7.5W, 15W
Power Taps @70V	3.75W, 7.5W
Impedance	Black: Com White: 1.3KΩ Green: 670Ω
SPL(1W/1M)	100dB
Frequency Response (-10dB)	250-14KHz
Speaker Driver	6" x 1
IP Rate	IP 66
Dimensions	172 x 315mm
Weight	2.7Kg